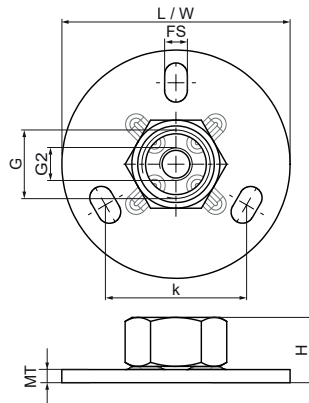


Walraven Wall Plate

(K1507)

fixing to ceiling or floor



Features & benefits

- fixings to ceiling or floor (only tension loads recommended)
- with 3 slots to simplify fixing
- with resistance welded connection nut
- material: steel
- zinc plated

Product Number	Connection Thread	Connection Thread 2	Total Length	Total Width	Total Height	Material Thickness	Fixing Slot	Heart To Heart Distance	Maximum Allowed Load Faz
Reference letter	G	G2	L	W	H	MT	FS	k	Fa,z
Unit description			mm	mm	mm	mm	mm	mm	N
6709021	G½"	M10	70	70	20	4.00	12x7	43.3	2,500