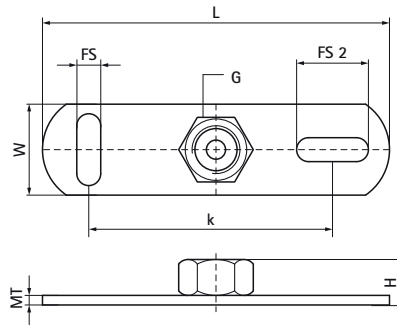
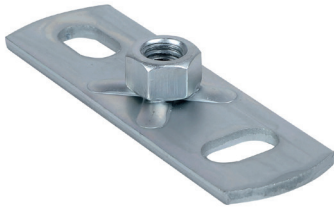


Walraven Wall Plate Resistance Welded (BUP1000)

(K1511)

fixing to wall or ceiling



Features & benefits

- fixings to ceiling or floor (only tension loads recommended)
- slots at 90° to each other to simplify fixing
- with resistance welded connection nut
- material: steel
- product is part of the Walraven UltraProtect® 1000 system
- suitable for in- and outdoor applications
- stands min. 1,000 hours salt spray test (max. 5% red rust) according to ISO 9227

| Product Number | RSK Number | Connection Thread | Total Length | Total Width | Total Height | Material Thickness | Fixing Slot | Fixing Slot 2 | Heart To Heart Distance | Maximum Allowed Load Faz |
|-------------------------|------------|-------------------|--------------|-------------|--------------|--------------------|-------------|---------------|-------------------------|--------------------------|
| <i>Reference letter</i> | | <i>G</i> | <i>L</i> | <i>W</i> | <i>H</i> | <i>MT</i> | <i>FS</i> | <i>FS 2</i> | <i>k</i> | <i>F_{0,z}</i> |
| <i>Unit description</i> | | | <i>mm</i> | <i>mm</i> | <i>mm</i> | <i>mm</i> | <i>mm</i> | <i>mm</i> | <i>mm</i> | <i>N</i> |
| 6708008 | 3849582 | M8 | 80 | 25 | 12 | 3.00 | 15x8,5 | 15x8,5 | 50 | 2,500 |
| 6708010 | 3849583 | M10 | 80 | 25 | 14 | 3.00 | 15x8,5 | 15x8,5 | 50 | 2,500 |