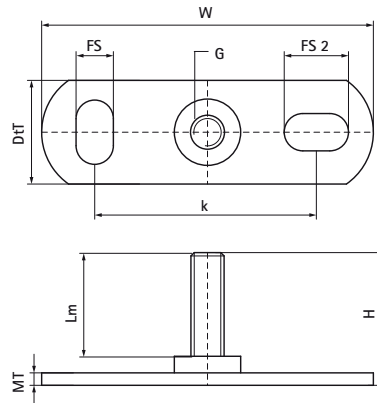


Walraven Wall Plate 672 (Male Thread)

(K1515)

fixing to wall or ceiling



Features & benefits

- fixings to ceiling or floor (only tension loads recommended)
- slots at 90° to each other to simplify fixing
- with resistance welded male stud bolt
- material: steel
- zinc plated

Product Number	Connection Thread	Length Metrical Thread	Total Length	Total Width	Total Height	Material Thickness	Fixing Slot	Fixing Slot 2	Heart To Heart Distance	Maximum Allowed Load Faz
Reference letter	G	Lm	L	W	H	MT	FS	FS 2	k	F _{0,z}
Unit description		mm	mm	mm	mm	mm	mm	mm	mm	N
6723006	M6	25	80	25	32	3.00	15x8,5	15x8,5	50	2,500
6723008	M8	25	80	25	32	3.00	15x8,5	15x8,5	50	2,500
6723010	M10	35	80	25	45	3.00	15x8,5	15x8,5	50	2,500
6723108	M8	10	80	25	17	3.00	15x8,5	15x8,5	50	2,500
6723110	M10	12	80	25	22	3.00	15x8,5	15x8,5	50	2,500