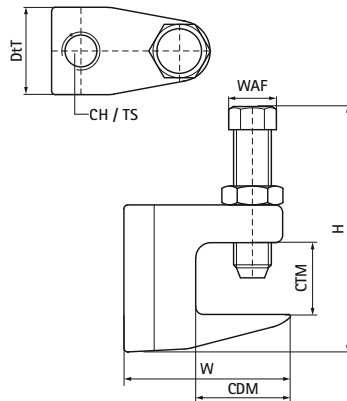


Walraven Beam Clamp Model C (BUP1000)

(K2003)

for clamping on beam flange



Features & benefits

- for a solid fixing to steel construction without the need for welding or drilling
- according to VdS-regulations an additional safety strap should be used when supporting pipes above DN65
- bolt with hexagon head according to DIN 933 strength class 8.8, screw point with cup ring according to EN ISO 4753 and lock nut
- product is part of the Walraven UltraProtect® 1000 system
- suitable for in- and outdoor applications
- stands min. 1,000 hours salt spray test (max. 5% red rust) according to ISO 9227
- FM approval and UL listed for hanger rod size M10



Product Number	RSK Number	Maximum Clamping Thickness	Maximum Clamping Depth	Total Height	Total Width	Total Depth	Connection Hole	Thread Size	Width Across Flats	Maximum Allowed Load Faz	Approvals
Reference letter		CTM	CDM	H	W	DtT	CH	TS	WAF	F _{0,z}	
Unit description		mm	mm	mm	mm	mm	mm		mm	N	
6008008	3856118	23	20	62	50	21		M8	17	2,500	VdS, ITB (KOT)
6008010	3856119	20	20	62	44	21		M10	17	2,500	VdS, FM, UL, ITB (KOT)
6008910	3856120	20	20	62	44	21	11		17	2,500	VdS, FM, UL, ITB (KOT)