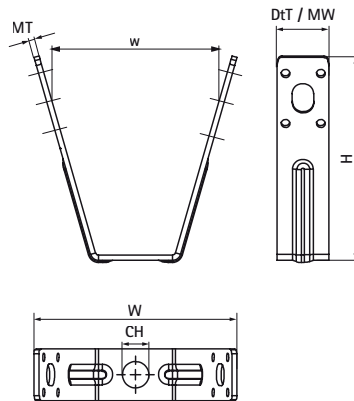


## Walraven Roofing Sheet Hanger (BUP1000)

(K2503)

fixing to trapeze roofing sheet



### Features & benefits

- for mounting to profiled roofing sheet by means of pop rivets or threaded rod
- for applications in environments requiring increased corrosion resistance
- variable distance to roof hanger by using a threaded rod
- material: steel 1.0242 (S250GD)
- product is part of the Walraven Walraven UltraProtect® 1000 system
- suitable for in- and outdoor applications
- stands min. 1,000 hours salt spray test (max. 5% red rust) according to ISO 9227



Product Number	Connection	Connection Thread	Connection Hole	Width	Material Width	Material Thickness	Total Height	Total Width	Total Depth	Maximum Allowed Load Faz
<i>Reference letter</i>		G	CH	w	MW	MT	H	W	DdT	F <sub>0,z</sub>
<i>Unit description</i>			mm	mm	mm	mm	mm	mm	mm	N
6785801	Hole	-	13	82	25	2.50	100	98	25	2,300