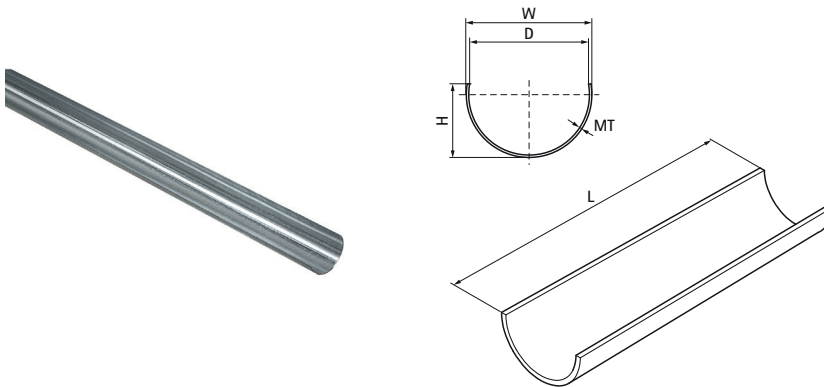


Walraven Pipe Reinforcement

(K3505)

support for plastic pipe



Features & benefits

- self-gripping and continuous support for plastic pipes to prevent unsatisfactory deflections
- allows for longer distance between supports (fixing distance with reinforcement is 1.5 times longer than the distance without reinforcement)
- controls direction of pipe expansion. Maintains alignment of pipe, and prohibits "snaking"
- reinforcement fits inside insulation
- lightweight and economical, also 3 meter lengths are easy to handle
- eases handling and speeds installation of PEX tubing
- can be cut with hand tools
- material: steel 1.0226
- pre-galvanized
- to be used with e.g. BISMAT® 5000 and Bifix® 5000

Product Number	RSK Number	Total Height	Total Width	Total Length	Material Thickness	Self Clamping?
Reference letter		H	W	L	MT	
Unit description		mm	mm	mm	mm	
0635316	3809437	10	18	3,000	0.80	Yes
0635320	3809438	13	22	3,000	0.80	Yes
0635325	3809439	16	27	3,000	0.80	Yes
0635332	3809440	20	34	3,000	0.80	Yes
0635340	3809441	24	42	3,000	0.80	Yes
0635350	3809442	30	52	3,000	0.80	Yes
0635356	3809589	28	58	3,000	0.80	No
0635363	3809443	38	65	3,000	0.80	Yes
0635375	3809444	45	77	3,000	0.80	Yes
0635390	3809445	54	92	3,000	0.80	Yes
0635391	3809446	65	112	3,000	0.80	Yes
0635392	3810386	125	127	3,000	0.80	No
0635393	3810387	81	162	3,000	0.80	No