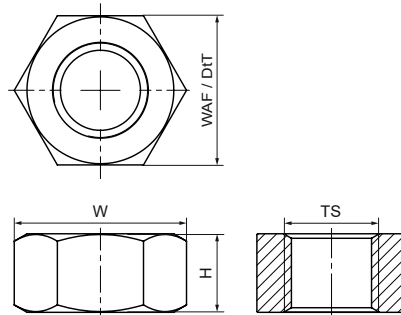


Walraven Hexagon Nut

(K4535)

for threaded connections



Features & benefits

- material: steel, strength class 8
- zinc plated
- M10 and M12 tested for fire safety according to EN 1363-1
- M7B: pitch = M7 x 1 mm
- M7F: pitch = M7 x 1.5 mm



Product Number	RSK Number	Norm / Standard	Thread Size	Width Across Flats	Total Depth	Total Height	Total Width	Colour
<i>Reference letter</i>			<i>TS</i>	<i>WAF</i>	<i>DtT</i>	<i>H</i>	<i>W</i>	
<i>Unit description</i>				<i>mm</i>	<i>mm</i>	<i>mm</i>	<i>mm</i>	
6123006	3849543	DIN 934	M6	10	10	5	12	Zinc
6123008	3879189	DIN 934	M8	13	13	7	15	Zinc
6123010	3879196	DIN 934	M10	17	17	8	20	Zinc
6123012	3849544	DIN 934	M12	19	19	10	22	Zinc
6123016	3849545	DIN 934	M16	24	24	13	28	Zinc
6123020	3849546	DIN 934	M20	30	30	16	35	Zinc
6123021	3849547	BSPP	G½"	27	27	15	31	Zinc