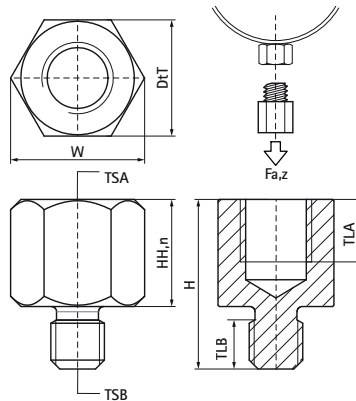


Walraven Thread Adaptor (M/F)

(K5535)

adjustment of thread connection



Features & benefits

- only tension loads recommended
- to enlarge or reduce the thread size in the connection of clamps, etc.
- material: steel
- zinc plated

Product Number	RSK Number	Thread Size A	Thread Length A	Thread Size B	Thread Length B	Nominal Head Height	Width Across Flats	Total Height	Total Width	Total Depth	Maximum Allowed Load Faz
Reference letter		TSA	TLA	TSB	TLB	HH,n	WAF	H	W	DcT	Fa,z
Unit description		mm		mm		mm	mm	mm	mm	mm	N
6473008	3806122	M8	7	M6	5.5	12	13	19	15	13	2,500
6473206	3806127	M6	7	M8	6	12	13	20	15	13	4,800
6473210	3806057	M10	9	M8	6	15	13	23	15	13	4,800
6473221		G½"	13	M8	8	22	27	30	31	27	4,800
6473306	3806133	M6	7	M10	6	13	13	21	15	13	5,900
6473308	3806059	M8	7	M10	6	13	13	21	15	13	5,900
6473312	3806134	M12	8	M10	8	15	17	25	20	17	5,900
6473316	3806135	M16	13	M10	8	22	24	32	28	24	5,900
6473321		G½"	12	M10	8	21	27	31	31	31	5,900
6473410	3806118	M10	8	M12	7.5	13	13	23	15	13	8,800
6473416	3806137	M16	11	M12	8	22	24	32	28	24	8,800
6473510	3806138	M10	9	M16	11	18	19	32	22	19	10,800
6473512	3806119	M12	10	M16	11	18	19	32	22	22	19,900
6473921		G1"	17	G½"	13	22	35	36	38	38	13,900