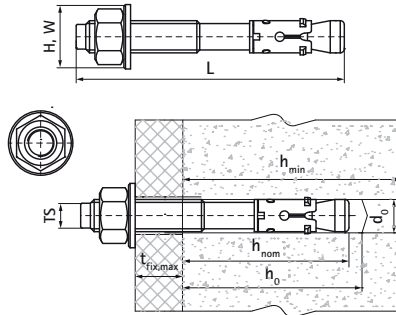
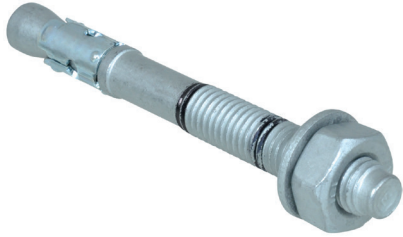


Walraven WTB1 Throughbolt Anchor

(L0340)

high performance corrosion resistant expansion anchor for cracked concrete



Features & benefits

- high load capacity
- pre- and through-fixing
- two embedment depths provide installation flexibility
- zinc-flake coated for improved corrosion resistance
- material: steel
- zinc plated with zinc flake
- ETA Option 1 approval for cracked and non-cracked concrete
- fire resistance class R30-R120 for design of anchorages under exposure to fire
- substrate type: cracked concrete, non-cracked concrete, stone
- for loads and more information, refer to the product data sheet and/or the ETA report



Product Number	RSK Number	Thread Size	Total Length	Drill Hole Diameter	Drill Hole Depth	Minimum Substrate Thickness	Maximum Fixture Thickness	Standard Embedment Depth	Recommended Load In Cracked Concrete C20/25	Recommended Load In Uncracked Concrete C20/25	Total Height	Total Width
Reference letter		TS	L	d0	h0	hmin	tfix,max	hnom			H	W
Unit description			mm	mm	mm	mm	mm	mm	N	N	mm	mm
609831080	3823365	M8	80	8	55	100	15	55	1,980	3,570	13	13
609831081	3823367	M8	100	8	55	100	35	55	1,980	3,570	13	13
609831082	3823368	M8	115	8	55	100	50	55	1,980	3,570	13	13
609831100	3823369	M10	95	10	69	120	15	69	4,290	5,710	17	17
609831101	3823370	M10	115	10	69	120	35	69	4,290	5,710	17	17
609831102	3846927	M10	130	10	69	120	50	69	4,290	5,710	17	17
609831120	3823371	M12	120	12	80	140	25	80	5,710	9,520	19	19
609831121	3823408	M12	135	12	80	140	40	80	5,710	9,520	19	19
609831160	3823372	M16	140	16	100	170	20	100	9,520	16,670	24	24