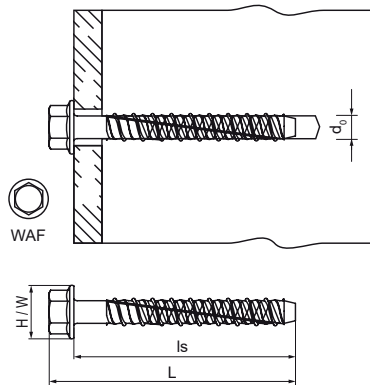


Walraven W-HLX-H Concrete Screw

(L0349)

superior performance concrete screws for anchoring in cracked and non-cracked concrete



Features & benefits

- induction hardened technology ensures very high load capacity
- up to 3 anchoring depths per size for maximum design and installation flexibility
- the advanced thread geometry ensures fast and simple installation
- reduced minimum edge and anchor spacing distances for confined areas
- installation possible without drill hole cleaning for faster workflow on site
- European Technical Assessment according to EAD 330232-01-0601 (December 2019) for mechanical fastener for use in cracked and non-cracked concrete
- European Technical Assessment according to EAD 330747-00-0601 (May 2018) for fastener for use in concrete for redundant non-structural systems
- material: steel
- zinc flake coating
- fire resistance class R30-R120
- seismic performance categories C1 and C2
- complies with VdS CEA 4001: 2024-01 (08) for applications with sprinkler systems in concrete elements
- substrate type: cracked concrete, non-cracked concrete, precast pre-stressed hollow core slabs
- for loads and more information, refer to the product data sheets and/or the ETA reports



Product Number	RSK Number	Screw Length	Anchor Size	Width Across Flats	Drill Hole Diameter	ETA Seismic Rating	Total Height	Total Width	Total Length
Reference Letter		ls		WAF	d0		H	W	L
Unit description		mm		mm	mm		mm	mm	mm
62510304	4443316	40	6	10	6	C1	13	13	47
62510306	4443317	60	6	10	6	C1	13	13	67
62510406	4443318	60	8	13	8	C1	16	16	68
62510408	4443319	75	8	13	8	C1 & C2	16	16	83
62510410	4443320	100	8	13	8	C1 & C2	16	16	108
62510507	4443321	70	10	15	10	C1	20	20	79
62510509	4443322	90	10	15	10	C1 & C2	20	20	99
62510510	4443323	100	10	15	10	C1 & C2	20	20	109
62510611	4443324	110	12	17	12	C1 & C2	24	24	122