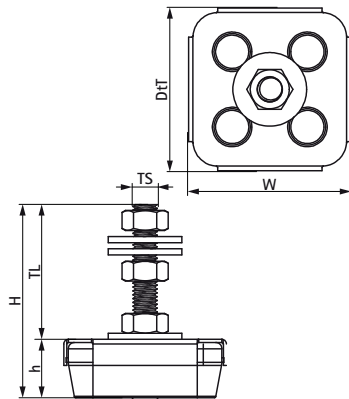


Walraven VibraTek® MR-L 1000/M8 Rubber Levelling Mount

(L20518)

rubber mount with M8 connection for equipment isolation and levelling



Features & benefits

- recommended for machinery with working speeds above 2500 rpm, providing a degree of vibration insulation from 75% to 80%
- simple to install and does not need to be fixed to the supporting structure
- rubber isolator with DIN 934 nuts and DIN 9012 washers included in delivery for mounting and levelling equipment
- metal and rubber parts can be separated for recycling
- hardness 45 Shore A
- Working temperature range -20 °C till 90 °C

Product Number	RSK Number	Thread Size	Total Height	Total Width	Total Depth	Height	Thread Length	Recommended Minimum Load Faz	Recommended Maximum Load Faz	Maximum Static Deflection
<i>Reference letter</i>		<i>TS</i>	<i>H</i>	<i>W</i>	<i>DtT</i>	<i>h</i>	<i>TL</i>			
<i>Unit description</i>			<i>mm</i>	<i>mm</i>	<i>mm</i>	<i>mm</i>	<i>mm</i>	<i>N</i>	<i>N</i>	<i>mm</i>
2800101000	8785000	M8	63	53	53	19	44	100	800	4