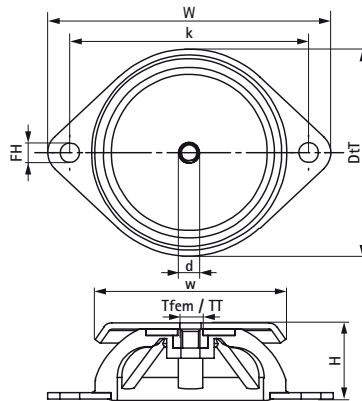


Walraven VibraTek® MR-B Rubber Mount

(L20530)

bell-shaped elastomer isolator for isolation of equipment and machinery



Features & benefits

- recommended for machinery with working speeds above 2500 rpm, providing a degree of vibration insulation from 75% to 80%
- ideally suited for machinery with radial vibration (as opposed to axial) and prone to sudden or pronounced starts and stops
- metal and rubber parts can be separated for recycling
- working temperature range -30 °C till 80 °C

Product Number	RSK Number	Female Thread	Thread Type	Total Height	Total Width	Total Depth	Width	Fixing Hole	Heart To Heart Distance	Recommended Minimum Load Faz	Recommended Maximum Load Faz	Maximum Static Deflection
Reference letter		Tfem	TT	H	W	DtT	w	FH	k			
Unit description				mm	mm	mm	mm	mm	mm	N	N	mm
2801800240	8785087	M6	Metric	24	90	66	60	6.2	76	50	225	3.5
2801800750	8785088	M8	Metric	27	120	86	80	8.2	100	130	700	4
2801801500	8785089	M10	Metric	28	148	106	100	10.2	124	150	1,400	5.5