

Walraven VibraTek® SA-3 Silent Absorber

(L20554)

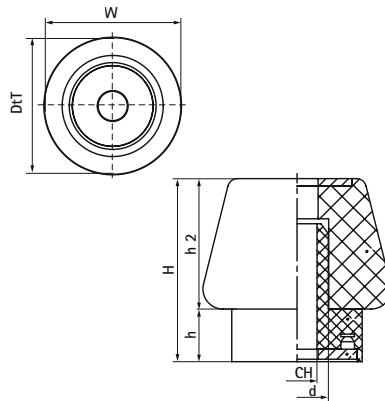
silent rubber absorber for isolating metal to metal contact



2801100300



2801100450



Features & benefits

- formed of two rubber parts which fit into each other, making it suitable for various fixing plate thicknesses
- ideal isolation of HVAC equipment
- for use with M8 threaded rods
- a versatile viscoelastic two-piece rubber absorber for preventing metal-to-metal contact in joined or fastened surfaces
- simple installation
- prevents transmission of vibration and noise
- working temperature range -10 °C till 45 °C

Product Number	RSK Number	Total Height	Total Width	Total Depth	Height	Height 2	Connection Hole	Recommended Minimum Load Faz	Recommended Maximum Load Faz	Maximum Static Deflection
Reference letter		H	W	DtT	h	h 2	CH			
Unit description		mm	mm	mm	mm	mm	mm	N	N	mm
2801100300	8785046	37	38	38	10.5	26	8	5	200	7
2801100450	8785047	37	38	38	10.5	26	8	10	400	7