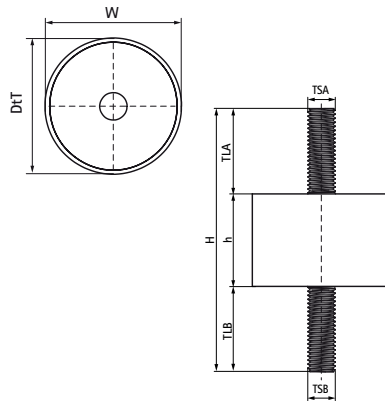


Walraven VibraTek® SB-MM Silentblock

(L20560)

a rubber silentblock with two external threads



Features & benefits

- a universal rubber absorber, ideal for use with all kinds of elastic suspension or mounting of equipment
- ideal for use with machinery and equipment mounted on metallic surface
- with two male threads
- for use in compression only
- working temperature range -30 °C till 80 °C

Product Number	RSK Number	Thread Size A	Thread Size B	Thread Length A	Thread Length B	Total Height	Total Width	Total Depth	Height	Maximum Allowed Load Faz
Reference letter		TSA	TSB	TLA	TLB	H	W	DtT	h	F _{a,z}
Unit description				mm	mm	mm	mm	mm	mm	N
2801400420	8785059	M8	M8	23	23	71	30	30	25	420
2801400750	8785060	M8	M8	23	23	86	40	40	40	750
2801401170	8785061	M10	M10	28	28	96	50	50	40	1,170
2801401690	8785062	M12	M12	37	37	114	60	60	40	1,690
2801400181	8785056	M8	M8	23	23	66	20	20	20	180
2801400291	8785058	M8	M8	23	23	66	25	25	20	290
2801400550		M8	M8	23	23	76	40	40	30	550