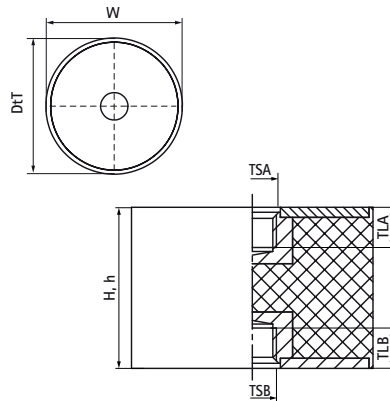


## Walraven VibraTek® SB-FF Silentblock

(L20566)

a rubber silentblock with two internal threads



### Features & benefits

- a universal rubber absorber, ideal for use with all kinds of elastic suspension or mounting of equipment
- ideal for use with machinery and equipment mounted on metallic surface
- with two female threads
- for use in compression only
- working temperature range -30 °C till 80 °C

Product Number	RSK Number	Thread Size A	Thread Size B	Thread Length A	Thread Length B	Total Height	Total Width	Total Depth	Height	Maximum Allowed Load Faz
Reference letter		TSA	TSB	TLA	TLB	H	W	DtT	h	Fa,z
Unit description				mm	mm	mm	mm	mm	mm	N
2801600420	8785075	M8	M8	8	8	25	30	30	25	420
2801600750	8785076	M8	M8	8	8	40	40	40	40	750
2801601170	8785077	M10	M10	8	8	40	50	50	40	1,170
2801601690	8785078	M12	M12	10	10	40	60	60	40	1,690
2801600181	8785072	M8	M8	8	8	20	20	20	20	180
2801600291	8785074	M8	M8	8	8	20	25	25	20	290