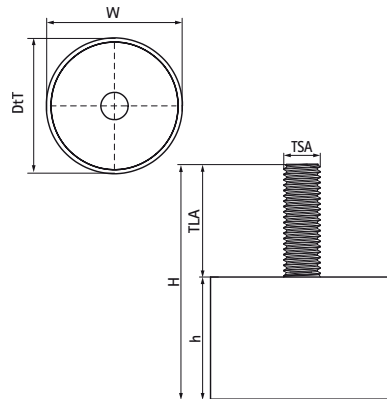


Walraven VibraTek® SB-M Silentblock

(L20569)

a rubber silentblock with one external thread



Features & benefits

- a universal rubber absorber, ideal for use with all kinds of elastic suspension or mounting of equipment
- ideal for use with machinery and equipment mounted on metallic surface
- for use in compression only
- with an external thread and a rubber base
- working temperature range -30 °C till 80 °C

Product Number	RSK Number	Thread Size A	Thread Length A	Total Height	Total Width	Total Depth	Height	Maximum Allowed Load Faz
Reference letter		TSA	TLA	H	W	DtT	h	Fa,z
Unit description			mm	mm	mm	mm	mm	N
2801700420	8785083	M8	23	48	30	30	25	420
2801700750	8785084	M8	23	63	40	40	40	750
2801701170	8785085	M10	28	68	50	50	40	1,170
2801701690	8785086	M12	37	77	60	60	40	1,690
2801700181	8785080	M8	23	43	20	20	20	180
2801700291	8785082	M8	23	43	25	25	20	290