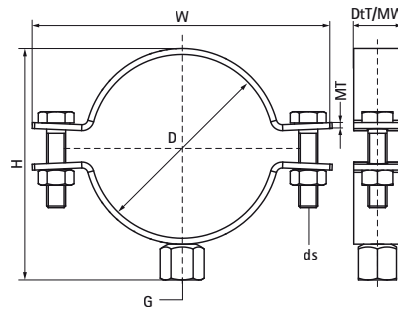


## Walraven Clamp HD700 SSt A4 M10

(M0515)



### Features & benefits

- two-part clamp with two locking bolts
- heavy design
- with CO<sub>2</sub> welded connection nut
- material: stainless steel 1.4404 (2B) - EN 10088, AISI 316L

Product Number	RSK Number	DN	Connection Thread	Total Height	Total Width	Total Depth	Material Width	Material Thickness	Screw Size	Maximum Allowed Load Faz
Reference letter		D	G	H	W	DtT	MW	MT	ds	F <sub>0,z</sub>
Unit description				mm	mm	mm	mm	mm		N
33074077	3848188	DN 65	M10	97	126	20	20	2.50	M8	3,000
33074086	3848189		M10	106	134	20	20	2.50	M8	3,000
33074095	3848190	DN 80	M10	115	144	20	20	2.50	M8	3,000
33074104	3848191		M10	124	153	20	25	2.50	M8	3,000
33074109	3848192		M10	129	158	25	25	2.50	M8	3,000
33074117	3848193	DN 100	M10	137	166	25	25	2.50	M8	3,000
33074129	3848194		M10	149	178	25	25	2.50	M8	3,000
33074137	3848195		M10	157	186	25	25	2.50	M8	3,000
33074145	3848196	DN 125	M10	165	194	25	25	2.50	M8	3,000
33074154	3848197		M10	176	207	30	30	3.00	M8	4,000
33074162	3848198		M10	184	215	30	30	3.00	M8	4,000
33074170	3848199	DN 150	M10	192	223	30	30	3.00	M8	4,000
33074178	3848200		M10	200	231	30	30	3.00	M8	4,000
33074186	3848201		M10	207	239	30	30	3.00	M8	4,000
33074195	3848202		M10	216	248	30	30	3.00	M8	4,000
33074203	3848203		M10	224	256	30	30	3.00	M8	4,000