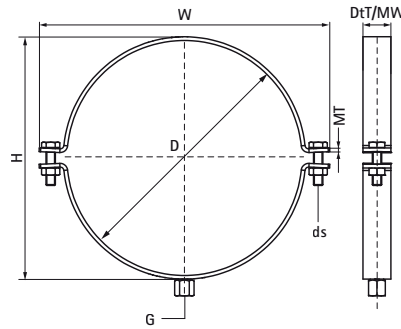


## Walraven Clamp HD700 SSt A4 M16

(M0525)



### Features & benefits

- two-part clamp with two locking bolts
- heavy design
- with CO<sub>2</sub> welded connection nut
- material: stainless steel 1.4404 (2B) - EN 10088, AISI 316L

Product Number	RSK Number	DN	Connection Thread	Total Height	Total Width	Total Depth	Material Width	Material Thickness	Screw Size	Maximum Allowed Load Faz
Reference letter		D	G	H	W	DtT	MW	MT	ds	F <sub>0,z</sub>
Unit description				mm	mm	mm	mm	mm		N
33074318	3848209		M16	350	390	40	40	4.00	M12	8,000
33074329	3848210	DN 300	M16	362	402	40	40	4.00	M12	8,000
33074361	3848211	DN 350	M16	393	433	40	40	4.00	M12	8,000