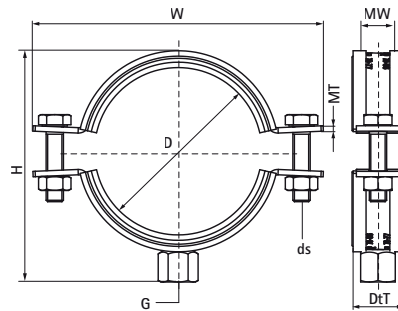


Walraven Clamp HD1701 SSt A4 EPDM M10

(M0530)



Features & benefits

- two-part clamp with two locking bolts
- heavy design
- with CO₂ welded connection nut
- material: stainless steel 1.4404 (2B) - EN 10088, AISI 316L
- noise insulating lining, EPDM rubber, black
- with sound insulating lining (acc. DIN 4109), age resistant, for temperatures -30 °C up to +110 °C

| Product Number | RSK Number | DN | Connection Thread | Total Height | Total Width | Total Depth | Material Width | Material Thickness | Screw Size | Maximum Allowed Load Faz |
|------------------|------------|--------|-------------------|--------------|-------------|-------------|----------------|--------------------|------------|--------------------------|
| Reference letter | | D | G | H | W | DtT | MW | MT | ds | F _{0,z} |
| Unit description | | | | mm | mm | mm | mm | mm | | N |
| 33174077 | 3848223 | DN 65 | M10 | 106 | 135 | 24 | 20 | 2.50 | M8 | 1,250 |
| 33174086 | 3848224 | | M10 | 115 | 144 | 24 | 20 | 2.50 | M8 | 1,250 |
| 33174095 | 3848225 | DN 80 | M10 | 125 | 153 | 24 | 20 | 2.50 | M8 | 1,250 |
| 33174109 | 3848226 | | M10 | 139 | 166 | 31 | 25 | 2.50 | M8 | 2,000 |
| 33174117 | 3848227 | DN 100 | M10 | 147 | 174 | 31 | 25 | 2.50 | M8 | 2,000 |
| 33174129 | 3848228 | | M10 | 159 | 186 | 31 | 25 | 2.50 | M8 | 2,000 |
| 33174137 | 3848229 | | M10 | 167 | 194 | 31 | 25 | 2.50 | M8 | 2,000 |
| 33174145 | 3848230 | DN 125 | M10 | 177 | 204 | 31 | 25 | 2.50 | M8 | 2,000 |
| 33174154 | 3848231 | | M10 | 185 | 215 | 36 | 30 | 3.00 | M8 | 3,300 |
| 33174162 | 3848232 | | M10 | 193 | 223 | 36 | 30 | 3.00 | M8 | 3,300 |
| 33174170 | 3848233 | DN 150 | M10 | 201 | 231 | 36 | 30 | 3.00 | M8 | 3,300 |
| 33174178 | 3848234 | | M10 | 209 | 239 | 36 | 30 | 3.00 | M8 | 3,300 |
| 33174186 | 3848235 | | M10 | 218 | 248 | 36 | 30 | 3.00 | M8 | 3,300 |
| 33174195 | 3848236 | | M10 | 226 | 256 | 36 | 30 | 3.00 | M8 | 3,300 |
| 33174203 | 3848237 | | M10 | 234 | 264 | 36 | 30 | 3.00 | M8 | 3,300 |