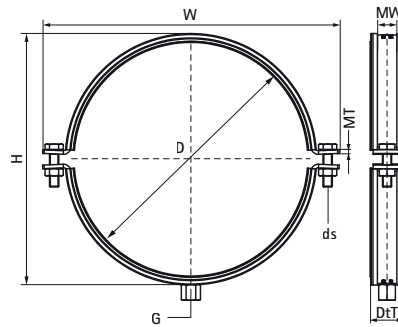


## Walraven Clamp HD1701 SSt A4 EPDM M12

(M0535)



### Features & benefits

- two-part clamp with two locking bolts
- heavy design
- with CO<sub>2</sub> welded connection nut
- material: stainless steel 1.4404 (2B) - EN 10088, AISI 316L
- noise insulating lining, EPDM rubber, black
- with sound insulating lining (acc. DIN 4109), age resistant, for temperatures -30 °C up to +110 °C

Product Number	RSK Number	DN	Connection Thread	Total Height	Total Width	Total Depth	Material Width	Material Thickness	Screw Size	Maximum Allowed Load Faz
Reference letter		D	G	H	W	DtT	MW	MT	ds	F <sub>0,z</sub>
Unit description				mm	mm	mm	mm	mm		N
33174227	3848238	DN 200	M12	263	295	36	30	4.00	M10	5,750
33174252	3848239		M12	288	320	36	30	4.00	M10	5,750
33174268	3848240		M12	305	337	36	30	4.00	M10	5,750
33174277	3848241	DN 250	M12	313	345	36	30	4.00	M10	5,750
33174285	3848242		M12	321	353	36	30	4.00	M10	5,750