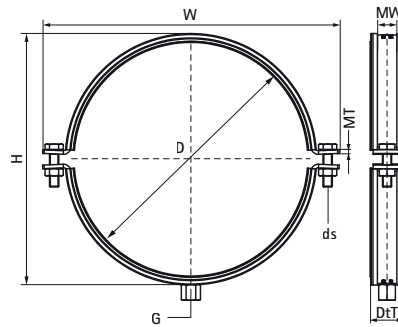


Walraven Clamp HD1701 SSt A4 EPDM M16

(M0540)



Features & benefits

- two-part clamp with two locking bolts
- heavy design
- with CO₂ welded connection nut
- materials: stainless steel 1.4404 (2B) - EN 10088, AISI 316L
- noise insulating lining, EPDM rubber, black
- with sound insulating lining (acc. DIN 4109), age resistant, for temperatures -30 °C up to +110 °C

Product Number	RSK Number	DN	Connection Thread	Total Height	Total Width	Total Depth	Material Width	Material Thickness	Screw Size	Maximum Allowed Load Faz
Reference letter		D	G	H	W	DtT	MW	MT	ds	F _{0,z}
Unit description				mm	mm	mm	mm	mm		N
33174318	3848243		M16	364	402	45	40	4.00	M12	6,500
33174329	3848244	DN 300	M16	377	415	45	40	4.00	M12	6,500
33174361	3848245	DN 350	M16	408	446	45	40	4.00	M12	6,500