

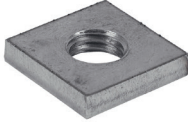
Walraven Stainless Steel Slide Nut

(M2910)

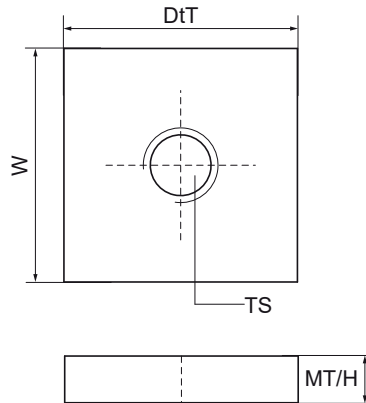
to connect construction parts to the rail



6511008



6511012



Features & benefits

- because of shape the nut fits in rail
- material: stainless steel 1.4401 (AISI 316)

Product Number	RSK Number	For Rail Type	Thread Size	Material Thickness	Torque Moment For Installation	Total Height	Total Width	Total Depth
<i>Reference letter</i>			<i>TS</i>	<i>MT</i>	<i>T_{inst.}</i>	<i>H</i>	<i>W</i>	<i>DtT</i>
<i>Unit description</i>				<i>mm</i>	<i>Nm</i>	<i>mm</i>	<i>mm</i>	<i>mm</i>
6511006	4436419	27x18, 30x15, 30x20, 30x30, 38x40	M6	5.00	30	5	25	25
6511008	4436420	27x18, 30x15, 30x20, 30x30, 38x40	M8	5.00	15	5	26.3	13.8
6511010	4436421	27x18, 30x15, 30x20, 30x30, 38x40	M10	5.00	15	5	26.3	13.8
6511012	4436422	27x18, 30x15, 30x20, 30x30, 38x40	M12	5.00	30	5	25	25