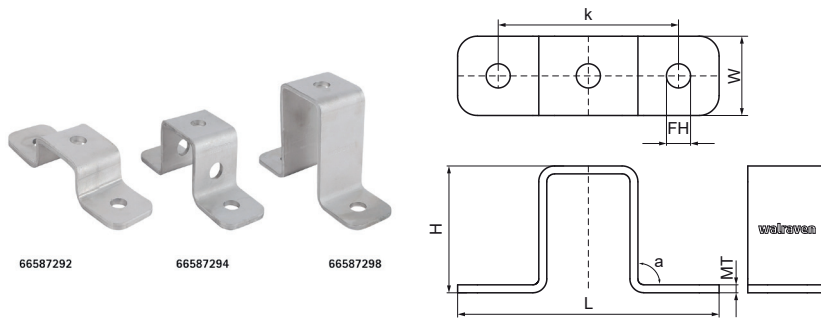


## Walraven RapidStrut® Stainless Steel Cross Connector

(M6013)

to make Strut rail fabrications



### Features & benefits

- connector to make cross connections between Walraven RapidStrut® rails
- to connect Walraven RapidStrut® rails to wall or ceiling
- the hole pattern is adapted to the hole pattern of Walraven RapidStrut® rails to use throughbolts
- user friendly by rounded edges
- material: stainless steel 1.4404 (A4) - EN 10088, AISI 316L

Product Number	For Rail Type	Angle	Total Height	Total Width	Total Length	Material Thickness	Width	Fixing Hole	Heart To Heart Distance	Torque Moment For Installation
<i>Reference letter</i>		<i>a</i>	<i>H</i>	<i>W</i>	<i>L</i>	<i>MT</i>	<i>w</i>	<i>FH</i>	<i>k</i>	<i>T<sub>inst.</sub></i>
<i>Unit description</i>		°	mm	mm	mm	mm	mm	mm	mm	Nm
66587292	41x21	90	24	40	141	4.00	40	12.2	100	30
66587294	41x41	90	44	40	141	4.00	40	12.2	100	30
66587298	41x41	90	84	40	141	4.00	40	12.2	100	30