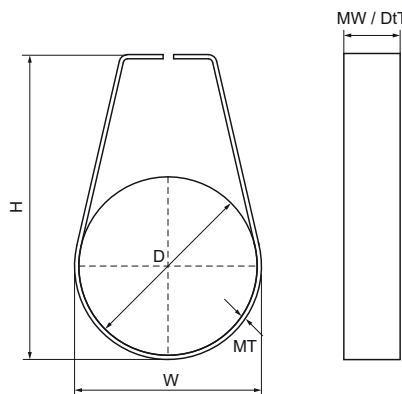


## Walraven Sprinkler Clamp Stainless Steel

(M9505)



### Features & benefits



| Product Number   | RSK Number | DN     | Material Width | Material Thickness | Total Height | Total Width | Total Depth | Approvals |
|------------------|------------|--------|----------------|--------------------|--------------|-------------|-------------|-----------|
| Reference letter |            | D      | MW             | MT                 | H            | W           | DtT         |           |
| Unit description |            |        | mm             | mm                 | mm           | mm          | mm          |           |
| 5994557033       | 3859602    | DN 25  | 22             | 1.00               | 68           | 50          | 22          | ITB (KOT) |
| 5994557042       | 3859603    | DN 32  | 22             | 1.00               | 80           | 54          | 22          | ITB (KOT) |
| 5994557048       | 3859604    | DN 40  | 22             | 1.00               | 93           | 58          | 22          | ITB (KOT) |
| 5994557060       | 3859605    | DN 50  | 22             | 1.00               | 105          | 69          | 22          | ITB (KOT) |
| 5994557076       | 3859606    | DN 65  | 22             | 1.50               | 120          | 88          | 22          | ITB (KOT) |
| 5994557088       | 3859607    | DN 80  | 22             | 1.50               | 144          | 106         | 22          | ITB (KOT) |
| 5994557114       | 3859608    | DN 100 | 22             | 1.50               | 186          | 134         | 22          | ITB (KOT) |