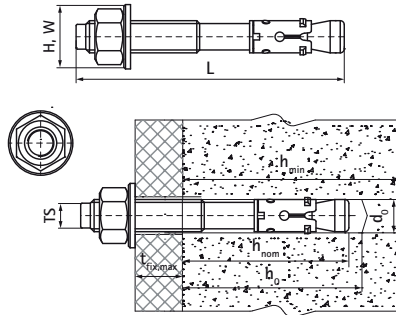


Walraven WTB1 Throughbolt Anchor SSst

(M9522)

high performance stainless steel expansion anchor for cracked concrete



Features & benefits

- high load capacity
- pre- and through-fixing
- made of stainless steel for use in external atmospheric environment
- two embedment depths provide installation flexibility
- material: stainless steel A4
- ETA Option 1 approval for cracked and non-cracked concrete
- fire resistance class R30-R120 for design of anchorages under exposure to fire
- substrate type: cracked concrete, non-cracked concrete, stone
- for loads and more information, refer to the product data sheet and/or the ETA report



Product Number	RSK Number	Thread Size	Total Length	Drill Hole Diameter	Drill Hole Depth	Minimum Substrate Thickness	Maximum Fixture Thickness	Standard Embedment Depth	Recommended Load In Cracked Concrete C20/25	Recommended Load In Uncracked Concrete C20/25	Total Height	Total Width
Reference letter		TS	L	d0	h0	hmin	tfix,max	hnom			H	W
Unit description			mm	mm	mm	mm	mm	mm	N	N	mm	mm
609871080	4436472	M8	75	8	55	100	10	55	2,380	3,570	13	13
609871081	4436473	M8	115	8	55	100	50	55	2,380	3,570	13	13
609871100	4436474	M10	95	10	69	100	15	69	4,290	7,620	17	17
609871101	4436475	M10	130	10	69	100	50	69	4,290	7,620	17	17
609871120	4436476	M12	125	12	80	140	30	80	5,710	11,900	19	19
609871121	4436477	M12	150	12	80	140	55	80	5,710	11,900	19	19