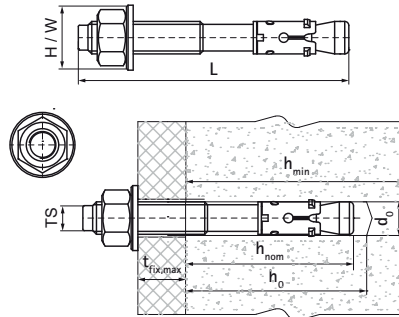


Walraven WT1 Throughbolt Anchor SSt

(M9523)

ultimate performance stainless steel expansion anchor for cracked concrete



Features & benefits

- superior load capacity
- ETA Option 1 approval for cracked and non-cracked concrete
- fire resistance class R30-R120 for design of anchorages under exposure to fire
- seismic performance category C1 and C2 for design of anchorages under seismic action
- complies with VdS CEA 4001: 2024-01 (08) for applications with sprinkler systems in concrete elements
- substrate type: cracked concrete, non-cracked concrete, stone
- pre- and through-fixing
- made of stainless steel for use in external atmospheric environment
- material: stainless steel A4
- for loads and more information, refer to the product data sheet and/or the ETA reports

| Product Number | RSK Number | Thread Size | Total Length | Drill Hole Diameter | Drill Hole Depth | Minimum Substrate Thickness | Maximum Fixture Thickness | Standard Embedment Depth | ETA Seismic Rating | Recommended Load In Cracked Concrete C20/25 | Recommended Load In Uncracked Concrete C20/25 | Total Height | Total Width |
|------------------|------------|-------------|--------------|---------------------|------------------|-----------------------------|---------------------------|--------------------------|--------------------|---|---|--------------|-------------|
| Reference Letter | | TS | L | d0 | h0 | hmin | tfix,max | hnom | | | | H | W |
| Unit description | | | mm | mm | mm | mm | mm | mm | | N | N | mm | mm |
| 608608075 | 4450330 | M8 | 75 | 8 | 60 | 100 | 9 | 55 | | 4,000 | 5,700 | 16 | 16 |
| 608610090 | 4450331 | M10 | 90 | 10 | 75 | 120 | 10 | 68 | C1 & C2 | 6,600 | 7,600 | 20 | 20 |
| 608610135 | 4450332 | M10 | 135 | 10 | 75 | 120 | 55 | 68 | C1 & C2 | 6,600 | 7,600 | 20 | 20 |
| 608612120 | 4450333 | M12 | 120 | 12 | 85 | 140 | 24 | 80 | C1 & C2 | 7,500 | 8,700 | 24 | 24 |
| 608612150 | 4450334 | M12 | 150 | 12 | 85 | 140 | 54 | 80 | C1 & C2 | 7,500 | 8,700 | 24 | 24 |