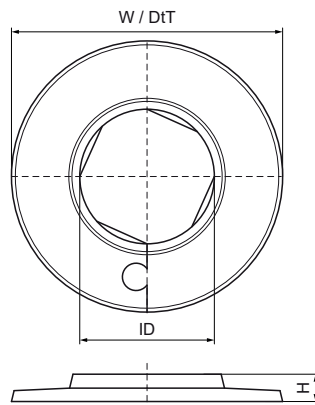


Walraven Rosette

(02005)

finishing of pipe apertures



Features & benefits

- one-part rosette
- for finishing of pipe apertures
- material: PP (polypropylene), white (according to RAL 9016)

Product Number	RSK Number	Inner Diameter	Total Height	Total Width	Total Depth
<i>Reference letter</i>		<i>ID</i>	<i>H</i>	<i>W</i>	<i>DtT</i>
<i>Unit description</i>		<i>mm</i>	<i>mm</i>	<i>mm</i>	<i>mm</i>
0671412	3793825	12	12	50	50
0671415	3793826	15	12	55	55
0671418	3793827	18	12	55	55
0671422	3793828	22	12	55	55
0671428	3793829	28	12	55	55
0671435	3793830	35	12	65	65