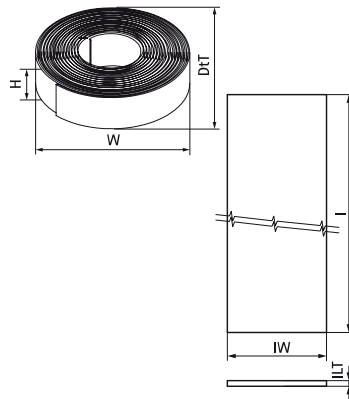


Walraven Pacifyre® IWM III Fire Strip

(U0420)

The flexible fire strip for plastic and multi-layer pipes



Features & benefits

- Allows for an installation with zero distance between pipes
- Easy to install without any additional fixing material due to self-adhesive strip
- Only one roll for numerous penetrations
- A small number of layers is required, so a smaller drill hole is possible
- Suitable for 40 mm shaft walls
- Suitable for damp conditions
- Easy on-site modification
- Also suitable for areas which are difficult to access, for example, corner penetrations
- With a fire resistance up to EI 120 U/U
- Tested according to EN 1366-3



Product Number	RSK Number	Length	Intumescent Width	Intumescent Layer Thickness	Total Height	Total Width	Total Depth
<i>Reference letter</i>		<i>l</i>	<i>IW</i>	<i>ILT</i>	<i>H</i>	<i>W</i>	<i>DIT</i>
<i>Unit description</i>		<i>mm</i>	<i>mm</i>	<i>mm</i>	<i>mm</i>	<i>mm</i>	<i>mm</i>
2136050125	3833699	12,500	50	2	50	213	213
2136050625		6,250	50	2	50	164	164