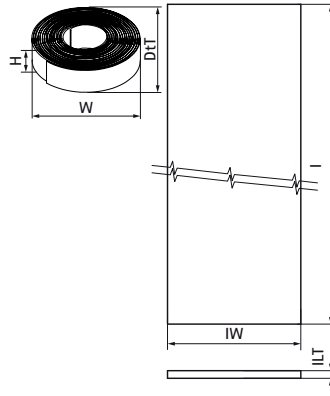


## Walraven Pacifyre® FPW Fire Protection Wrap

(U0423)

The most flexible fire protection solution for plastic and multi-layer pipes



### Features & benefits

- Allows for installation with zero distance between pipes
- Easy to install without any additional fixing material due to self-adhesiveness
- Only one roll for numerous penetrations
- Dimension: 9.2 m x 50 mm x 2.0 mm
- Suitable for combustible pipes with intended use as rainwater, sewage, gas, drinking water and heating or cooling
- For application in flexible walls, rigid walls and rigid floors
- For various combustible pipe materials such as PP-H, PVC and PE
- Suited for certain branded pipes
- With a fire resistance up to EI 120 U/U
- Tested according to EN 1366-3



Product Number	Length	Intumescent Width	Intumescent Layer Thickness	Total Height	Total Width	Total Depth
Reference letter	<i>l</i>	<i>IW</i>	<i>ILT</i>	<i>H</i>	<i>W</i>	<i>DtT</i>
Unit description	<i>mm</i>	<i>mm</i>	<i>mm</i>	<i>mm</i>	<i>mm</i>	<i>mm</i>
2122250920	9,200	50	2	50	195	195