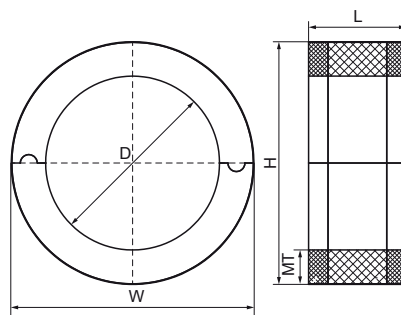


Walraven BISOFIX® E19 + Cold Block s1s2

(D05141)

for insulated pipes



Features & benefits

- pipe clamp with insulation shell
- for fixing of thermal isolated pipe of steel, copper or stainless steel
- to combine with Bifix® G2 without lining and HD500 Clamps
- effective prevention of corrosion
- reduced smoke development in case of fire by intumescent sheet
- vapour proof glueing to pipe insulation
- when installing the pipe support, always align the contact areas of the insulation shells horizontally (to prevent tensile and pressure forces)
- with intumescent and self-adhesive INCERAM cladding for easy closure of the pipe support
- material: pipe support made of PIR foam (core), synthetic rubber (sides) and a vapour-proof layer of black PVC
- PIR density 80 / 120 kg / m³
- does not contain CFC, HCFC, formaldehyde or cadmium
- excellent thermal, mechanical and smoke reducing properties
- Storage and processing temperature ≥ +10 °C
- building material / Euro class according to DIN EN 13501-1 BL-s1, d0 or BL-s2, d0
- application temperature from -50 °C to + 110 °

Product Number	Outside Pipe Diameter	Total Height	Total Width	Total Length	Material Thickness	Operating Temperature	Maximum Allowed Load Faz
Reference Letter	D	H	W	L	MT		Fa,z
Unit description	mm	mm	mm	mm	mm	CEL	N
220200171	17.2 - 18	56	56	50	19.00	-50 - 110	100
220200211	21.3 - 22	60	60	50	19.00	-50 - 110	100
220200271	26.9 - 28	66	66	50	19.00	-50 - 110	100
220200351	35	73	73	50	19.00	-50 - 110	100
220200421	42.4	80	80	50	19.00	-50 - 110	150
220200481	48.3	86	86	50	19.00	-50 - 110	225
220200541	54	92	92	50	19.00	-50 - 110	225
220200601	60.3	98	98	50	19.00	-50 - 110	350
220200761	76.1	116	116	50	19.00	-50 - 110	575
220200891	88.9	129	129	50	19.00	-50 - 110	875
220201141	114.3	156	156	50	19.00	-50 - 110	1,250
220201401	140	182	182	100	19.00	-50 - 110	1,700
220201681	168	208	208	100	19.00	-50 - 110	2,125
220202191	219.1	259	259	100	19.00	-50 - 110	3,525