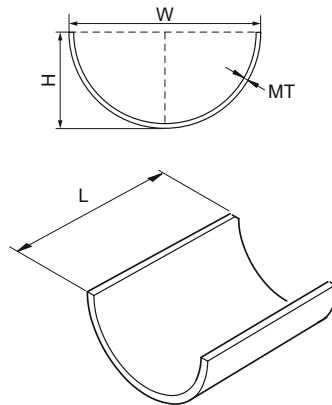


Walraven BISOFIX® PIR Support Sleeve

(D0535)

for BISOFIX® PIR



Features & benefits

- prevents the clamp from pressing into the insulating material
- to be used in combination with BISOFIX® PIR coldblocks, fixed with pipes bigger than Ø 273 mm
- it is advisable to use two carrying sleeves at each connection point
- material: steel
- pre-galvanized

Product Number	Total Height	Total Width	Total Length	Material Thickness
<i>Reference Letter</i>	<i>H</i>	<i>W</i>	<i>L</i>	<i>MT</i>
<i>Unit description</i>	<i>mm</i>	<i>mm</i>	<i>mm</i>	<i>mm</i>
2340150300	165	300	150	0.80
2340150320	175	320	150	0.80
2340150328	179	328	150	0.80
2340150368	199	368	150	0.80