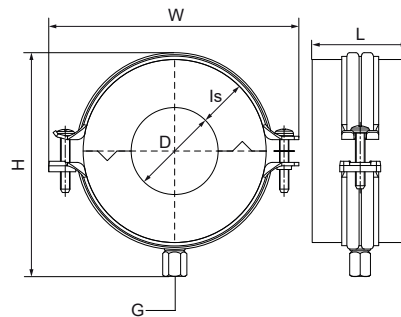


Walraven BISOFIX® MW Cold Clamp LD

(D0545)

for fixing insulated pipes with non-flammable hangers



Features & benefits

- for fixing of thermal isolated pipe of plastic, steel, copper or stainless steel
- non-flammable cooling pipe carrier with hard stone wool core and 2-screw clamp (Bifix® G2)
- with quick locking system
- a vapour sealed connection with pipe insulation can easily be made by use of self-adhesive, overlapping aluminium tape
- material: pipe clamp UltraProtect®1000 surface treatment
- material: insulation made of stone wool laminated with glass fibre reinforced aluminium foil
- silicone free; diffusion equivalent air layer thickness (sd value) > 1500 m; water absorption < 1Kg/m
- fire classification: A2-s1, d0 according to EN 13501
- melting point: Stone wool > 1000 °C
- temperature range: 0-250 °C wool side, max. 80 °C at lamination acc. to EN 14707
- fire tested clamps

Product Number	Outside Pipe Diameter	Pipe Diameter Imperial	DN	Connection Thread	Total Height	Total Width	Total Length	Insulation Thickness	Maximum Allowed Load Faz
Reference Letter	D	D	D	G	H	W	L	Is	Fa,z
Unit description	mm	"			mm	mm	mm	mm	N
231020006	6			M8/M10	66	84	60	20	100
231020010	10			M8/M10	73	91	60	20	100
231020012	12			M8/M10	73	91	60	20	150
231020015	15			M8/M10	79	97	60	20	150
231020018	18	3/8	DN 10	M8/M10	79	97	60	20	200
231020022	22	1/2	DN 15	M8/M10	86	104	60	20	200
231020028	28	3/4	DN 20	M8/M10	92	110	60	20	200
231023006	6			M8/M10	73	91	60	23	100
231023010	10			M8/M10	79	97	60	23	100
231023012	12			M8/M10	79	97	60	23	150
231023015	15			M8/M10	86	104	60	23	150
231023018	18	3/8	DN 10	M8/M10	86	104	60	23	200
231023022	22	1/2	DN 15	M8/M10	92	110	60	23	200
231023028	28	3/4	DN 20	M8/M10	100	118	60	23	200
231030006	6			M8/M10	92	110	60	30	100
231030010	10			M8/M10	92	110	60	30	100
231030012	12			M8/M10	91	109	60	30	150
231030015	15			M8/M10	100	118	60	30	150
231030028	28	3/4	DN 20	M8/M10	115	134	60	30	200
231040015	15			M8/M10	123	142	60	40	150
231040018	18	3/8	DN 10	M8/M10	123	142	60	40	200
231040022	22	1/2	DN 15	M8/M10	129	148	60	40	200
231040028	28	3/4	DN 20	M8/M10	137	155	60	40	200
231040032	32			M8/M10	137	155	60	40	200