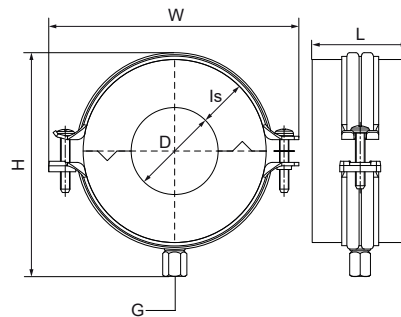


Walraven BISOFIX® MW Cold Clamp MD

(D0546)

for fixing insulated pipes with non-flammable hangers



Features & benefits

- for fixing of thermal isolated pipe of plastic, steel, copper or stainless steel
- non-flammable cooling pipe carrier with hard stone wool core and 2-screw clamp (Bifix® G2)
- with quick locking system
- a vapour sealed connection with pipe insulation can easily be made by use of self-adhesive, overlapping aluminium tape
- material: pipe clamp UltraProtect®1000 surface treatment
- material: insulation made of stone wool laminated with glass fibre reinforced aluminium foil
- silicone free; diffusion equivalent air layer thickness (sd value) > 1500 m; water absorption < 1Kg/m
- fire classification: A2-s1, d0 according to EN 13501
- melting point: Stone wool > 1000 °C
- temperature range: 0-250 °C wool side, max. 80 °C at lamination acc. to EN 14707
- fire tested clamps

Product Number	Outside Pipe Diameter	Pipe Diameter Imperial	DN	Connection Thread	Total Height	Total Width	Total Length	Insulation Thickness	Maximum Allowed Load Faz
Reference Letter	D	D	D	G	H	W	L	Is	Fa,z
Unit description	mm	"			mm	mm	mm	mm	N
231020035	35	1	DN 25	M8/M10	100	118	60	20	300
231020042	42	1¼	DN 32	M8/M10	107	125	60	20	300
231020048	48	1½	DN 40	M8/M10	115	134	60	20	400
231030035	35	1	DN 25	M8/M10	123	142	60	30	300
231030054	54			M8/M10	137	155	60	30	400
231030060	60	2	DN 50	M8/M10	145	164	60	30	500
231030064	64			M8/M10	154	172	60	30	500
231030076	76	2½	DN 65	M8/M10	162	181	60	30	800
231040035	35	1	DN 25	M8/M10	137	155	60	40	300
231040042	42	1¼	DN 32	M8/M10	145	164	60	40	300
231044042	42			M8/M10	154	172	60	44	300
231050042	42	1¼	DN 32	M8/M10	171	189	60	50	300
231050048	48	1½	DN 40	M8/M10	183	201	60	50	400
231050054	54			M8/M10	183	201	60	50	400
231060054	54			M8/M10	208	229	60	60	400
231060060	60	2	DN 50	M8/M10	208	229	60	60	500
231060064	64			M8/M10	208	229	60	60	500
231060076	76	2½	DN 65	M8/M10	227	248	60	60	800
231067064	64			M16	226	274	60	67	800
231070076	76	2½	DN 65	M8/M10	253	275	60	70	800