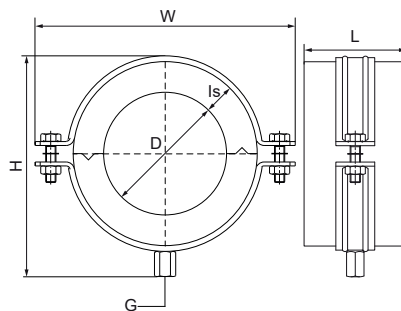


Walraven BISOFIX® MW Cold Clamp HD

(D0550)

for fixing insulated pipes with non-flammable hangers



Features & benefits

- for fixing of thermal isolated pipe of plastic, steel, copper or stainless steel
- non-flammable cooling pipe carrier with hard stone wool core and Heavy Duty Clamp HD500
- a vapour sealed connection with pipe insulation can easily be made by use of self-adhesive, overlapping aluminium tape
- material: pipe clamp UltraProtect®1000 surface treatment
- material: insulation made of stone wool laminated with glass fibre reinforced aluminium foil
- silicone free; diffusion equivalent air layer thickness (sd value) > 1500 m; water absorption < 1Kg/m
- fire classification: A2-s1, d0 according to EN 13501
- melting point: Stone wool > 1000 °C
- temperature range: 0-250 °C wool side, max. 80 °C at lamination acc. to EN 14707
- fire tested clamps

Product Number	Outside Pipe Diameter	Pipe Diameter Imperial	DN	Connection Thread	Total Height	Total Width	Total Length	Insulation Thickness	Maximum Allowed Load Faz
Reference Letter	D	D	D	G	H	W	L	Is	Fa,z
Unit description	mm	"			mm	mm	mm	mm	N
231030089	89	3	DN 80	M10/M12	191	215	80	30	1,100
231030108	108			M10/M12	207	240	80	30	1,300
231030114	114	4	DN 100	M10/M12	221	254	80	30	1,300
231030140	140	5	DN 125	M10/M12	240	274	100	30	1,800
231030159	159			M10/M12	265	299	100	30	2,200
231040169	169	6	DN 150	M16	290	335	100	40	3,000
231040219	219	8	DN 200	M16	337	380	100	40	5,000
231060089	89	3	DN 80	M10/M12	256	290	80	60	1,100
231060108	108			M16	263	299	80	60	1,300
231060114	114	4	DN 100	M16	277	322	80	60	1,800
231070140	140	5	DN 125	M16	324	367	100	70	2,200
231070159	159			M16	337	380	100	70	2,200
231070169	169	6	DN 150	M16	354	385	100	70	3,000
231070219	219	8	DN 200	M16	395	439	100	70	5,000
231080076	76	2½	DN 65	M16	277	322	80	80	800
231100089	89	3	DN 80	M16	324	367	100	100	1,100
231100114	114	4	DN 100	M16	354	385	100	100	1,800
231120108	108			M16	395	439	100	120	1,300
231120114	114	4	DN 100	M16	395	439	100	120	1,800
231120140	140	5	DN 125	M16	324	367	100	120	2,200
231120159	159			M16	443	487	100	120	2,200
231120169	169	6	DN 150	M16	441	498	100	120	3,000
231120219	219	8	DN 200	M16	493	537	100	120	5,000