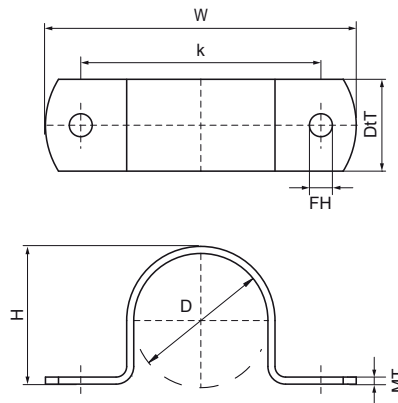


Walraven Pipe Saddle (hdg)

(B3010)

for steel pipes



Features & benefits

- one-part saddle
- material: steel
- hot dip galvanized

EPD

Product Number	Outside Pipe Diameter	Pipe Diameter Imperial	Fixing Hole	Heart To Heart Distance	Material Thickness	Total Height	Total Width	Total Depth	Maximum Allowed Load Faz
<i>Reference Letter</i>	<i>D</i>	<i>D</i>	<i>FH</i>	<i>k</i>	<i>MT</i>	<i>H</i>	<i>W</i>	<i>DtT</i>	<i>F_{0,z}</i>
<i>Unit description</i>	<i>mm</i>	<i>"</i>	<i>mm</i>	<i>mm</i>	<i>mm</i>	<i>mm</i>	<i>mm</i>	<i>mm</i>	<i>N</i>
4601021	21.5	1/2	9	50	2.00	23	70	20	3,500
4601027	26.9	3/4	9	58	2.00	28	78	20	3,500
4601033	33.7	1	9	62	2.00	34	84	20	3,500
4601043	42.5	1 1/4	9	72	2.00	45	92	20	3,500
4601048	48	1 1/2	9	77	2.00	48	97	20	3,500
4601061	60.3	2	9	88	2.00	59	108	20	3,500