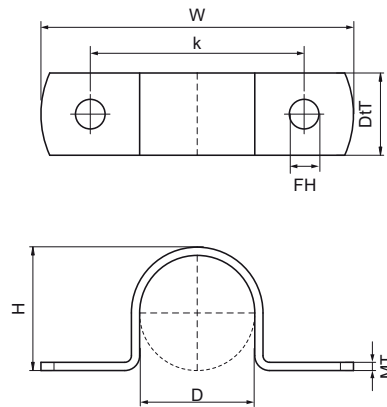


Walraven Pipe Saddle (Copper)

(B3015)

for copper pipes



Features & benefits

- one-part saddle
- material: copper 2.0060

Product Number	Outside Pipe Diameter	Fixing Hole	Heart To Heart Distance	Material Thickness	Total Height	Total Width	Total Depth	Maximum Allowed Load Faz
Reference Letter	D	FH	k	MT	H	W	DtT	F _{a,z}
Unit description	mm	mm	mm	mm	mm	mm	mm	N
4200008	8	4.5	22	0.50	9	34	10	100
4200012	12	4.5	28	0.50	13	40	10	100
4200015	15	4.5	31	0.50	16	43	10	100
4200018	18	4.5	34	0.50	18	46	10	100
4200022	22	4.5	38	0.50	23	50	10	100
4200028	28	4.5	44	0.50	29	56	10	100