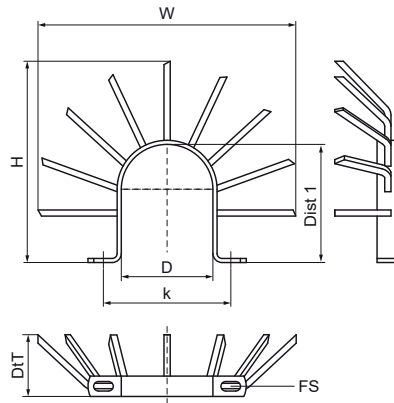


## Walraven Intruder Deterrent Clamp

(B4020)

deters climbing on a rainwater downpipe



### Features & benefits

- mounting per 2 clamps around the pipe (one clamp with claws pointed upwards, the other one with claws downwards)
- material: steel
- hot dip galvanized

Product Number	Outside Pipe Diameter	Distance 1	Heart To Heart Distance	Fixing Slot	Total Height	Total Width	Total Depth
Reference Letter	D	Dist 1	k	FS	H	W	DtT
Unit description	mm	mm	mm	mm	mm	mm	mm
4191810	110	138	155	20x11	250	250	62