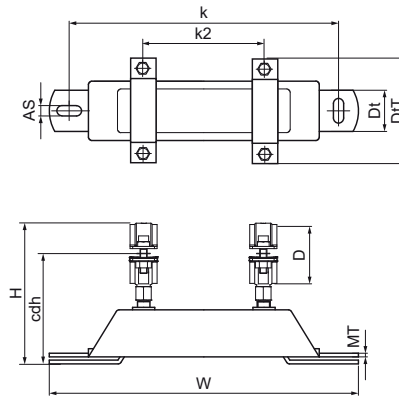
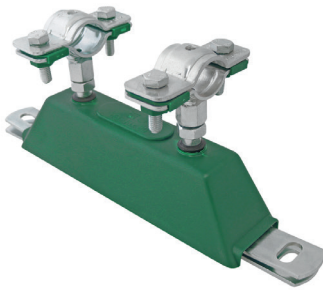


Walraven dB-FiX® 80 Fixing Point Assembly Kit

(E0530)

for noise insulation fixing point



Features & benefits

- very stable
- material: steel
- zinc plated
- noise insulation by moulded EPDM rubber
- sound insulating lining according DIN 4109
- consists of: 1 fixing point assembly Walraven dB-FiX® 80 (Part No. 6693008), 2 heavy duty clamps HD500

Product Number	Outside Pipe Diameter	Total Height	Total Width	Total Depth	Clamp Center Distance Height	Depth	Anchoring Slot	Heart To Heart Distance	Heart To Heart Distance 2	Material Thickness	Thread Size	Maximum Allowed Load Faz	Maximum Allowed Load Fay
Reference Letter	D	H	W	DtT	cdh	Dt	AS	k	k 2	MT	TS	Fa,z	Fa,y
Unit description	mm	mm	mm	mm	mm	mm	mm	mm	mm	mm		N	N
2622020	25 - 30	128	290	85	109	30	20x10.5	250	100	3.00	M10	3,000	2,700
2622025	31 - 36	134	290	91	112	30	20x10.5	250	100	3.00	M10	3,000	2,700
2622032	40 - 45	143	290	102	116	30	20x10.5	250	100	3.00	M10	3,000	2,700
2622040	47 - 52	150	290	109	120	30	20x10.5	250	100	3.00	M10	3,000	2,700
2622050	59 - 65	163	290	122	126	30	20x10.5	250	100	3.00	M10	3,000	2,700
2622010	15 - 19	117	290	75	103	30	20x10.5	250	100	3.00	M10	3,000	2,700
2622015	19 - 23	121	290	78	105	30	20x10.5	250	100	3.00	M10	3,000	2,700