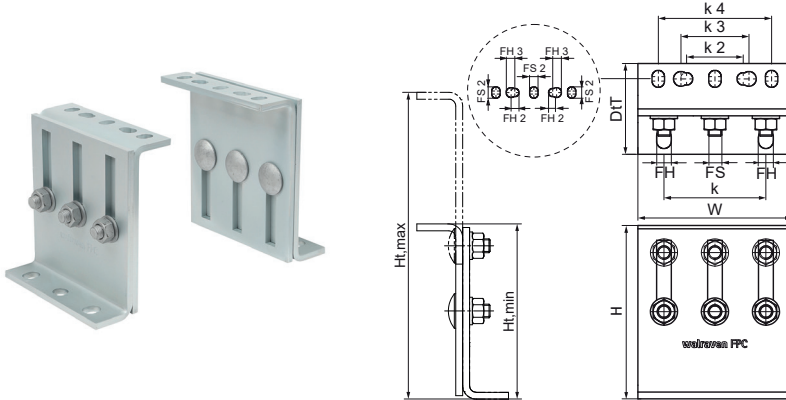


## Walraven Fixpoint Console 'Medium' (BUP1000)

(E0551)

for fixing point assembly



### Features & benefits

- flexible use console module for high forces (depending on the situation, detailed design by technical service)
- can be used as a pipe connection point in conjunction with 2 or 3 heavy-duty clamps type HD500 up to max. 227 mm
- tightening torque 75 Nm for the console fixing screws
- connection to the building is recommended with metal anchors M12
- infinitely adjustable height and inclination
- contact Walraven Technical Support for advice on safe loads
- material: steel 1.0332
- product is part of the Walraven UltraProtect® 1000 system
- suitable for in- and outdoor applications
- stands min. 1,000 hours salt spray test (max. 5% red rust) according to ISO 9227

Product Number	Minimum Height	Maximum Height	Maximum Allowed Load Faz	Maximum Allowed Load Fay	Maximum Allowed Load Fax	Fixing Slot	Fixing Hole	Heart To Heart Distance	Fixing Slot 2	Fixing Hole 2	Fixing Hole 3	Heart To Heart Distance 2	Heart To Heart Distance 3	Heart To Heart Distance 4	Total Width	Total Height	Total Depth
Reference Letter	Ht,min	Ht,max	Fa,z	Fa,y	Fa,x	FS	FH	k	FS 2	FH 2	FH 3	k 2	k 3	k 4	W	H	DtT
Unit description	mm	mm	N	N	N	mm	mm	mm	mm	mm	mm	mm	mm	mm	mm	mm	mm
6698206	153	268	14,300	11,500	3,200	17x13	14	90	15x11	11	13	50	60	100	136	153	80