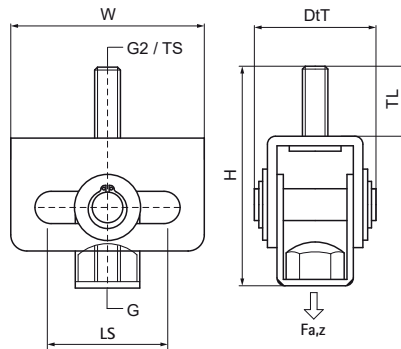
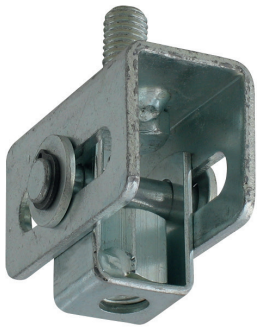


Walraven Expansion Joint

(E1015)

fixing with sliding assemblies



Features & benefits

- for accommodation of pipe thermal expansion or contraction
- low space requirement, can only be used for ceiling mounting (hanging)
- economical solution when low expansion
- compatible with all Walraven rail systems
- material: steel
- zinc plated

Product Number	Connection Thread	Thread Size	Thread Length	Total Height	Total Width	Total Depth	Slide Distance	Maximum Allowed Load $F_{a,z}$
<i>Reference Letter</i>	<i>G</i>	<i>TS</i>	<i>TL</i>	<i>H</i>	<i>W</i>	<i>DtT</i>	<i>Ls</i>	<i>F_{a,z}</i>
<i>Unit description</i>			<i>mm</i>	<i>mm</i>	<i>mm</i>	<i>mm</i>	<i>mm</i>	<i>N</i>
6653310	M8/M10	M10	21	69	60	40	35	1,500