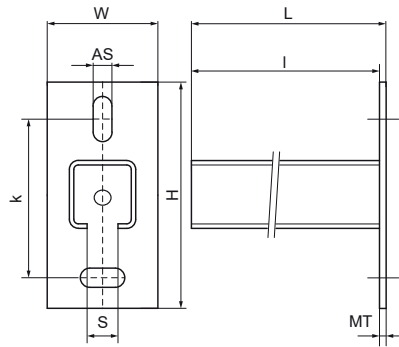
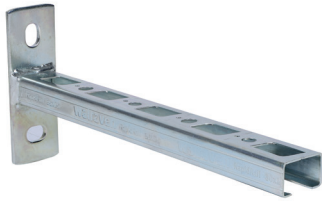


## Walraven RapidRail® Cantilever Arm

(G1007)

fixing to wall, floor or ceiling



### Features & benefits

- base plate with welded C-profile
- for quick and adjustable fixing of one or multiple pipes
- CO<sub>2</sub> welded
- with continuous perforation
- with sawing marks each 50 mm
- unique hole pattern at type 30x20 allows to click in Walraven RapidRail® Hammerfix from both sides
- material: base plate made of steel 1.0332 (DD11)
- material: profiles type 27x18 and 30x20 made of steel 1.0330 (DC01)
- material: profiles type 30x15 and 30x30 made of steel 1.0038 (S235JR)
- zinc plated
- for more information about the max. allowed load (Faz) please refer to the loading tables or our online datasheet 'Technical Details Walraven RapidRail®'



| Product Number   | Type  | Length   | Total Height | Total Width | Total Length | Material Thickness | Anchoring Slot | Profile Opening | Heart To Heart Distance |
|------------------|-------|----------|--------------|-------------|--------------|--------------------|----------------|-----------------|-------------------------|
| Reference Letter |       | <i>l</i> | <i>H</i>     | <i>W</i>    | <i>L</i>     | <i>MT</i>          | <i>AS</i>      | <i>S</i>        | <i>k</i>                |
| Unit description |       | mm       | mm           | mm          | mm           | mm                 | mm             | mm              | mm                      |
| 66031815         | 27x18 | 150      | 110          | 38          | 154          | 4.00               | 16x11          | 15              | 70                      |
| 66031820         | 27x18 | 200      | 110          | 38          | 204          | 4.00               | 16x11          | 15              | 70                      |
| 66031830         | 27x18 | 300      | 110          | 38          | 304          | 4.00               | 16x11          | 15              | 70                      |
| 66031850         | 27x18 | 500      | 110          | 38          | 504          | 4.00               | 16x11          | 15              | 70                      |
| 66031520         | 30x15 | 200      | 110          | 38          | 204          | 4.00               | 16x11          | 15              | 70                      |
| 66031530         | 30x15 | 300      | 110          | 38          | 304          | 4.00               | 16x11          | 15              | 70                      |
| 66032015         | 30x20 | 150      | 110          | 38          | 154          | 4.00               | 16x11          | 15              | 70                      |
| 66032020         | 30x20 | 200      | 110          | 38          | 204          | 4.00               | 16x11          | 15              | 70                      |
| 66032025         | 30x20 | 250      | 110          | 38          | 254          | 4.00               | 16x11          | 15              | 70                      |
| 66033020         | 30x30 | 200      | 110          | 48          | 205          | 5.00               | 18x11          | 15              | 70                      |
| 66033025         | 30x30 | 250      | 110          | 48          | 255          | 5.00               | 18x11          | 15              | 70                      |
| 66033030         | 30x30 | 300      | 110          | 48          | 305          | 5.00               | 18x11          | 15              | 70                      |
| 66033040         | 30x30 | 400      | 110          | 48          | 405          | 5.00               | 18x11          | 15              | 70                      |
| 66033050         | 30x30 | 500      | 110          | 48          | 505          | 5.00               | 18x11          | 15              | 70                      |