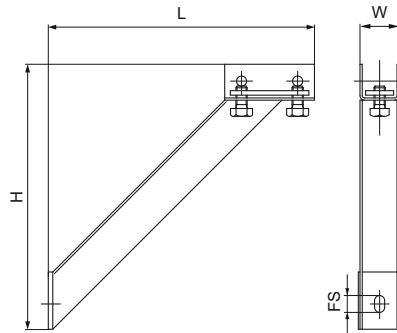


Walraven Rail Prop – 50x40

(G2010)

angle support for fixing rails and cantilever arms



Features & benefits

- 45° support bracket
- for fixing support under, top or on side of a cantilever arm
- also used to strengthen rail constructions
- suitable for rails and cantilever arms 50x40
- CO₂ welded
- material: steel
- zinc plated



Product Number	Total Height	Total Width	Total Length	Fixing Slot	Angle
Reference Letter	H	W	L	FS	a
Unit description	mm	mm	mm	mm	°
6623326	320	60	320	25x12,2	45