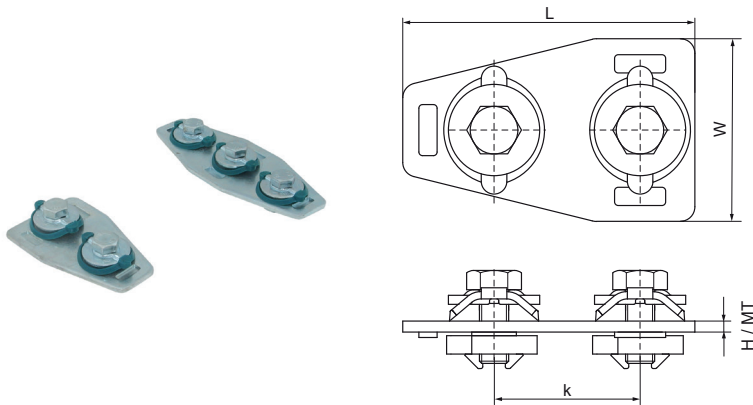


Walraven RapidRail® T-Connector

(G3545)

to make Walraven RapidRail® fabrications



Features & benefits

- connector with pre-assembled Walraven RapidRail® Slide nut(s)
- to make rail fabrications
- suitable for rails 27x18, 30x15, 30x20, 30x30, 30x45, 38x40
- ready-to-use pre-assembled for a quick fixing, and retains assembly in place before final tightening
- material: metal parts made of steel 1.0332; spring(s) made of POM (polyoxymethylene), green
- zinc plated
- For detailed technical information about our RAL marked products, please see the RAL datasheet in our web catalogue.

Product Number	For Rail Type	Total Height	Total Width	Total Length	Material Thickness	Fixing Hole	Fixing Slot	Heart To Heart Distance	Torque Moment For Installation	Maximum Allowed Load Fax
<i>Reference Letter</i>		<i>H</i>	<i>W</i>	<i>L</i>	<i>MT</i>	<i>FH</i>	<i>FS</i>	<i>k</i>	<i>T_{inst}</i>	<i>F_{ax}</i>
<i>Unit description</i>		<i>mm</i>	<i>mm</i>	<i>mm</i>	<i>mm</i>	<i>mm</i>	<i>mm</i>	<i>mm</i>	<i>Nm</i>	<i>N</i>
6584090	27x18, 30x15, 30x20, 30x30, 30x45, 38x40	26.36	50	80	3.00	8.2	12x4	40	15	345
6584091	27x18, 30x15, 30x20, 30x30, 30x45, 38x40	26.5	50	130	3.00	8.2	12x4	40	15	345