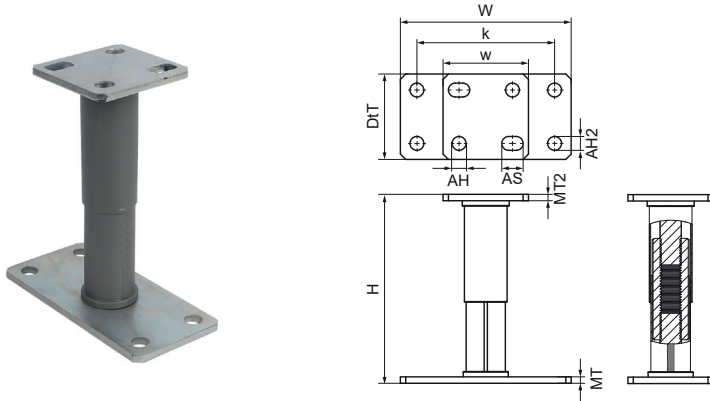


Walraven Adjustable Support Bracket

(H1242)

support bracket fastener for high adjustable rail installation



Features & benefits

- height adjustment range 135mm to 200mm also in installed state (left/right thread)
- suitable for all Walraven RapidStrut® rails (advised to use open side down for flexibility to meet the holes)
- use up to class 1-2 according to Eurocode 5 (indoor and covered outdoor area without weather influences)
- material: metal parts made of steel S235JR; protection cover made of plastic, grey
- zinc plated (Zn-Fe zinc / iron coating)
- For a detailed calculation and for support how to spread the load please contact Walraven Technical Support.
- In cases where a foot is used in roof applications, the installer is obliged to verify maximum load capacity of roof before installation.

Product Number	For Rail Type	Total Height	Total Width	Total Depth	Width	Material Thickness	Material Thickness 2	Anchoring Hole	Anchoring Hole 2	Anchoring Slot	Heart To Heart Distance
Reference Letter		H	W	DeT	w	MT	MT2	AH	AH2	AS	k
Unit description		mm	mm	mm	mm	mm	mm	mm	mm	mm	mm
66583810	41x21, 41x41, 41x51, 41x62, 41x82	200	160	80	80	6.00	6	13	13	20x13	129