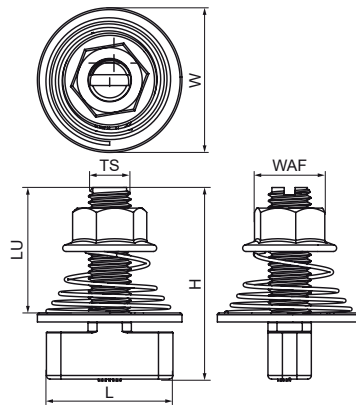


Walraven Maxx HF Hammerfix

(H20526)

for fixing to Maxx Heavy Rail Profiles



Features & benefits

- form-locking connector
- retains assembly in place before final tightening
- pre-assembled and ready to use for a quick fixing in profile perforation by a push and 90° turn
- with visible mark on top to see the position of hammer end
- with square shaft to block in the profile hole pattern when tightening
- material: steel, strength class 8.8; spring made of stainless steel (AISI 316)
- hot dip galvanized

| Product Number | For Rail Type | Thread Size | Usable Length | Total Height | Total Width | Total Length | Connection Nut Spanner Width (WAF) | Torque Moment For Installation | Maximum Allowed Load Faz |
|-------------------------|----------------------------------|-------------|---------------|--------------|-------------|--------------|------------------------------------|--------------------------------|--------------------------|
| <i>Reference Letter</i> | | <i>TS</i> | <i>LU</i> | <i>H</i> | <i>W</i> | <i>L</i> | <i>WAF_{cn}</i> | <i>T_{inst.}</i> | <i>F_{a,z}</i> |
| <i>Unit description</i> | | | <i>mm</i> | <i>mm</i> | <i>mm</i> | <i>mm</i> | <i>mm</i> | <i>Nm</i> | <i>N</i> |
| 65219214 | 80x80, 100x100, 100x120, 100x150 | M12 | 35 | 55 | 40 | 40 | 19 | 75 | 14,500 |