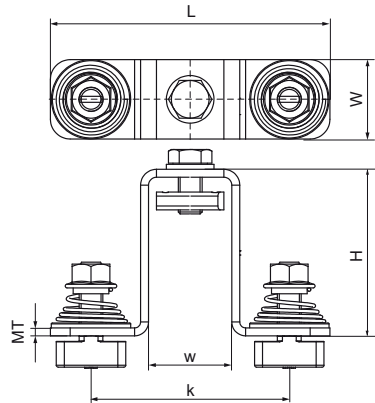


## Walraven Maxx Cross Connector CC82

(H20553)

prefabbed Cross Connector



### Features & benefits

- to connect Walraven RapidStrut® 82|H profiles to Walraven Maxx Profiles
- user friendly by rounded edges
- ready to use including pre-assembled fasteners to save installation time
- all pre-assembled fasteners in M12 for stable connections
- material: T-Bolt connectors M12 made from steel class 8.8, to be tightened with 75Nm
- material: Cross Connector: steel 1.0242 (S250GD) + ZM310 MAC
- surface protection:
- product is part of the Walraven BIS UltraProtect® 1000 system
- suitable for in- and outdoor applications
- stands min. 1,000 hours salt spray test (max. 5% red rust) according to ISO 9227
- surface treatment: T-Bolt Connectors: hot dip galvanized

Product Number	For Rail Type	Total Height	Total Width	Total Length	Material Thickness	Width	Heart To Heart Distance	Torque Moment For Installation	Maximum Allowed Load Faz	Maximum Allowed Load Fax
<i>Reference Letter</i>		<i>H</i>	<i>W</i>	<i>L</i>	<i>MT</i>	<i>w</i>	<i>k</i>	<i>T<sub>inst.</sub></i>	<i>F<sub>a,z</sub></i>	<i>F<sub>a,x</sub></i>
<i>Unit description</i>		<i>mm</i>	<i>mm</i>	<i>mm</i>	<i>mm</i>	<i>mm</i>	<i>mm</i>	<i>Nm</i>	<i>N</i>	<i>N</i>
6589117	80x80, 100x100, 100x120, 100x150	109.8	40	141	4.00	42	100	75	3,600	2,400