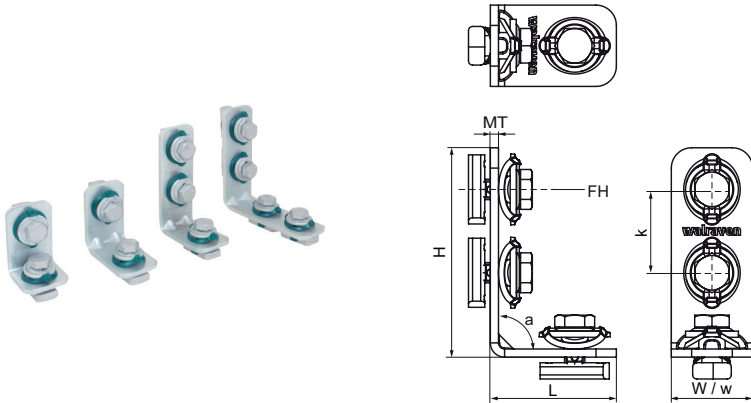


## Walraven RapidStrut® Rail Connector 90° G2 (BUP1000)

(H2804)

to make Strut rail fabrications



### Features & benefits

- connector with pre-assembled Walraven RapidStrut® Slide nut(s)
- to make fabrication with Walraven RapidStrut® Rail
- ready-to-use pre-assembled for a quick fixing, and retains assembly in place before final tightening
- 'Direct Twist' technology for easy and secure installation
- visual guide to check the position of the slide nut
- material: metal parts made of steel 1.0332; spring(s) made of POM (polyoxymethylene), green
- product is part of the Walraven UltraProtect® 1000 system
- suitable for in- and outdoor applications
- stands min. 1,000 hours salt spray test (max. 5% red rust) according to ISO 9227

| Product Number   | For Rail Type                     | Angle    | Total Height | Total Width | Total Length | Material Thickness | Width | Fixing Hole | Heart To Heart Distance | Torque Moment For Installation | Maximum Allowed Load Faz | Maximum Allowed Load Fax |
|------------------|-----------------------------------|----------|--------------|-------------|--------------|--------------------|-------|-------------|-------------------------|--------------------------------|--------------------------|--------------------------|
| Reference Letter |                                   | $\alpha$ | $H$          | $W$         | $L$          | $MT$               | $w$   | $FH$        | $k$                     | $T_{inst}$                     | $F_{a,z}$                | $F_{a,x}$                |
| Unit description |                                   | °        | mm           | mm          | mm           | mm                 | mm    | mm          | mm                      | Nm                             | N                        | N                        |
| 665885102        | 41x21, 41x41, 41x51, 41x62, 41x82 | 90       | 72.75        | 40          | 52.75        | 4.00               | 40    | 13.8        | 41                      | 40                             | 4,000                    | 2,270                    |
| 665885202        | 41x21, 41x41, 41x51, 41x62, 41x82 | 90       | 72.75        | 40          | 72.75        | 4.00               | 40    | 13.8        | 41                      | 40                             | 4,000                    | 2,270                    |
| 665885203        | 41x21, 41x41, 41x51, 41x62, 41x82 | 90       | 113.75       | 40          | 72.75        | 4.00               | 40    | 13.8        | 41                      | 40                             | 4,000                    | 2,270                    |
| 665885205        | 41x21, 41x41, 41x51, 41x62, 41x82 | 90       | 113.75       | 40          | 113.75       | 4.00               | 40    | 13.8        | 41                      | 40                             | 4,500                    | 4,700                    |