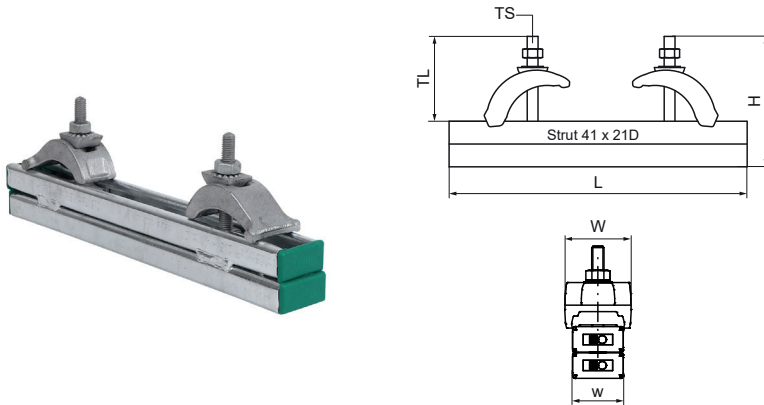


## Walraven RapidStrut® 41x21D 'Heavy Duty' Set

(H3625)

complete set for steel beam fixing



### Features & benefits

- solid cast iron beam clamp for suspension of heavy loads onto beams without welding or drilling
- up to flange thickness 35 mm
- material: beam clamp made of steel; rail made of steel 1.0332
- hot dip galvanized
- consists of: 1 length of Walraven RapidStrut® Rail 41x21D, 2 Beam clamps (Part No. 607 2 002), 4 Rail End Caps
- beam clamp also available loose

Product Number	For Rail Type	Clamping Range	Total Height	Total Width	Total Length	Thread Size	Thread Length	Width	Material Thickness	Maximum Allowed Load Faz	Maximum Allowed Load Fax	Torque Moment For Installation
Reference Letter		CR	H	W	L	TS	TL	w	MT	Fa,z	Fa,x	Tinst.
Unit description		mm	mm	mm	mm		mm	mm	mm	N	N	Nm
6073400	41x21	1 - 35	110	52	400	M10	63	41	9.00	5,000	1,500	30
6073600	41x21	1 - 35	110	52	600	M10	63	41	9.00	5,000	1,500	30