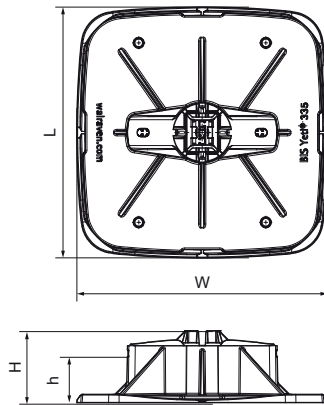


## Walraven Yeti® 335 Support System

(10410)

for Rooftop Installations



### Features & benefits

- modular supporting system for HVAC equipment, solar panels, walkways, pipe work, cable runs, etc.
- for flat roofs
- for horizontal and vertical applications
- 360° rotatable insert for Walraven RapidStrut® 41x41 or Walraven RapidStrut® DS 5 (41x52 mm)
- with non-slip anti-vibration mat
- mouldings made of WPC, a composite of recycled plastic and wood fibre
- resistant to UV and chemical influences
- noise reduction according to DIN EN ISO 10140-1 and DIN EN ISO 10140-3 up to 31 dB(A)
- UV-resistance according to EN ISO 16474-3:2014-02 - certified by ITB
- For a detailed calculation and for support how to spread the load please contact Walraven Technical Support.
- In cases where a foot is used in roof applications, the installer is obliged to verify maximum load capacity of roof before installation.

| Product Number          | Model                 | Total Width | Total Length | Total Height | Height    |
|-------------------------|-----------------------|-------------|--------------|--------------|-----------|
| <i>Reference Letter</i> |                       | <i>W</i>    | <i>L</i>     | <i>H</i>     | <i>h</i>  |
| <i>Unit description</i> |                       | <i>mm</i>   | <i>mm</i>    | <i>mm</i>    | <i>mm</i> |
| 67685201                | Horizontal / Vertical | 335         | 335          | 96           | 12.5      |
| 67685302                | H-Set without rail    | 335         | 335          | 96           | 12.5      |