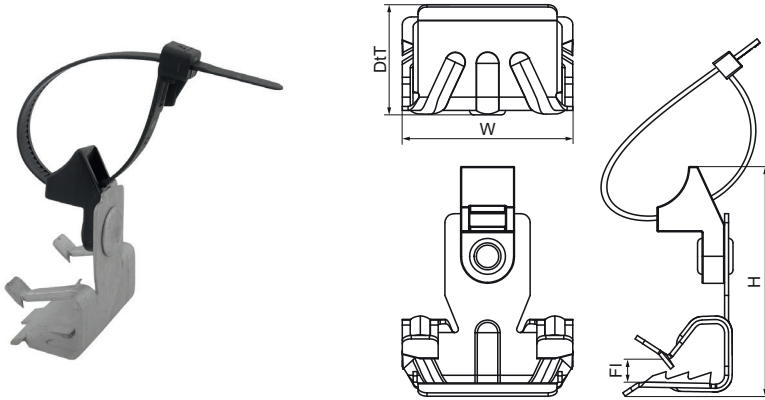


Walraven Britclips® Beam Clip / Cable Tie

(J05110)

for flange



Features & benefits

- for a solid fixing to steel construction without the need for welding or drilling
- with saddle for cable tie attachment (up to width 7.6 mm)
- material: bracket made of spring steel (type CS70); tie-wrap clip of PA (polyamide), black
- surface treatment: Delta-Tone 9000 (480 hours)

Product Number	Code	Flange	Type Of Accessory / Spare Part	Total Height	Total Width	Total Depth	Maximum Allowed Load Faz
<i>Reference Letter</i>		<i>Fl</i>		<i>H</i>	<i>W</i>	<i>DtT</i>	<i>F_{0,2}</i>
<i>Unit description</i>		<i>mm</i>		<i>mm</i>	<i>mm</i>	<i>mm</i>	<i>N</i>
EM50330109	BCCT25-5.5	4-8	With tie (L = 160mm)	52	38	24	220
EM50330216	BCCT50-10	8-14	With tie (L = 292mm)	54	38	25	220